



# 19" compatible AC/DC non-regulated

Power supply units..... 3.10.0  
**19" compatible.....3.11.0**  
 Open frame.....3.12.0  
 Power systems.....3.13.0  
 Uninterruptable power supplies (UPS) .....3.14.0

Backplanes/  
 test adapters .. 3.20.0

Microcomputer packaging systems (MPS) ..... 3.30.0

Appendix..... 3.90.0



11396005

## Single, 84 W

- 19" compatible AC/DC power supply, pluggable 3 U
- Mains input voltage 230 V<sub>AC</sub> (can be converted to 115 V<sub>AC</sub>)
- 1 output voltage
- High reliability and long life



100 x 160 mm

DUM0084

Pin	Connection
4	Output + V <sub>1</sub>
6	
8	
10	Output 0V V <sub>1</sub>
12	
14	
16	
18	-
20	
22	
24	
26	L
28	
30	N
32	PE ⊕

PSA46292

### Note

The front panel is not included in delivery.

Output data at T <sub>U</sub> = 0 ... 50 °C				Order No. <sup>1)</sup>		
Voltage	Current	Power output	Width	Power supply	Mains voltage	Front panel <sup>2)</sup> EMC
in V	in A	in W	in HP	Type	230 V <sub>AC</sub>	
24	3.5	84	14	PGG 124	<b>11005-190</b>	<b>21005-472</b>

<sup>1)</sup> Please order front panel and other accessories separately

<sup>2)</sup> Front anodised, rear side chromated, slotted on both sides for mounting EMC contact strips in the event of increased EMC requirements  
 (3 U EMC contact strips, Order No. 21101-705, 10 pieces)

**Mating connector H15F with FASTON connection, Order No. 69001-733**

Other output voltages available on request

# 19" compatible AC/DC non-regulated



## Technical data

### Input parameters

Mains voltage (can be converted)	115/230 V <sub>AC</sub> ± 10 %
Mains frequency range	48 – 62 Hz
Mains input current in accordance with	EN 61000-3-2 + A14

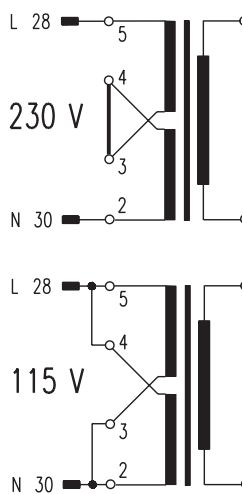
### Output parameters

Output voltage (U <sub>max.</sub> )	24 V ± 10 %	
Output current (I <sub>max.</sub> )	3 A	
Residual ripple	See diagram	
Power failure bridging	U <sub>E Nominal</sub>	Type 20 ms
	U <sub>E Nominal</sub> - 10 %	Type 12 ms
Derating from 50 – 70 °C	2 %/K	

### Other data

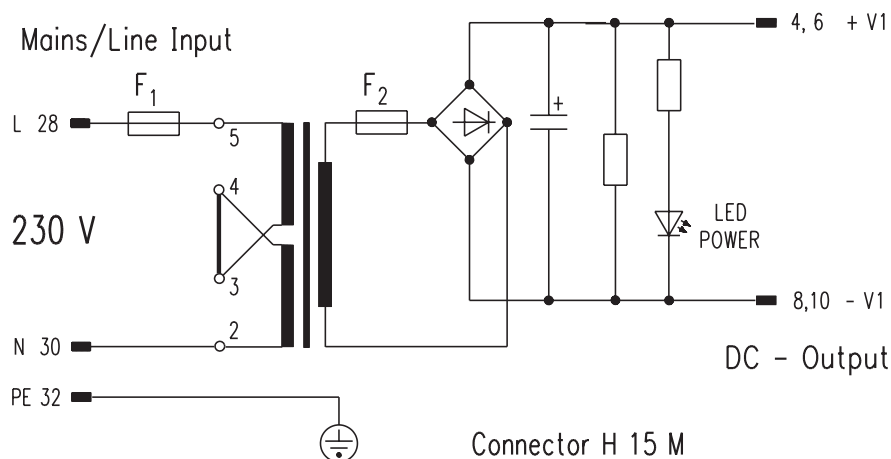
Test voltage to EN 60950	Input-output	4.3 kV <sub>DC</sub>
	Input PE	2.2 kV <sub>DC</sub>
	Output PE	0.7 kV <sub>DC</sub>
Climatic test to	IEC 68-2-38	
Shock and vibration in accordance with acceleration of 2 g	EN 60068-2-6	
Suppression	VDE 0871 curve K	
Class of protection (VDE 0100)	Class 1	
Power supply maintenance-free	Yes	
Cooling	Convection	
Ambient temperature T <sub>U</sub>	Operation	0 ... 70 °C
	Storage	-40 ... +85 °C

## Mains voltage switch-over



from DUM0047

## Schematic wiring diagram



PSA46589

## AC/DC switched mode power supplies

Single, 50 W .....	3.11.2
Single, 80 W .....	3.11.4
Single, 100 W .....	3.11.6
Single, 130 W .....	3.11.8
Dual, 80 W .....	3.11.10
Dual, 100 W .....	3.11.12
Triple, 80 W .....	3.11.14
Triple, 100 W .....	3.11.16
Triple, 130 W .....	3.11.18
Triple, 150 / 224 W .....	3.11.20
Quad, 250 W .....	3.11.22
Quad, 350 W .....	3.11.24

## AC/DC linear control systems

Single, 8 – 60 W ..	3.11.26
Dual, 10 – 58 W ...	3.11.28
Triple, 7 – 39 W ...	3.11.30

## AC/DC non-regulated

Single, 84 W .....	3.11.32
Single, 240 W .....	3.11.34

## DC/DC converters

Single, 20 to 120 W .....	3.11.36
Dual, 55 to 72 W ..	3.11.38
Triple, 64 to 70 W .....	3.11.40
Quad, 250 W .....	3.11.42
Quad, 350 W .....	3.11.44

## Accessories

Mating connector female connector H 15 F .....	3.11.46
Keying/coding .....	3.11.47
Guide rails .....	3.11.47
Z-rails .....	3.11.47
EMC contact strips .....	3.11.48
Wall/horizontal rail installation .....	3.11.49