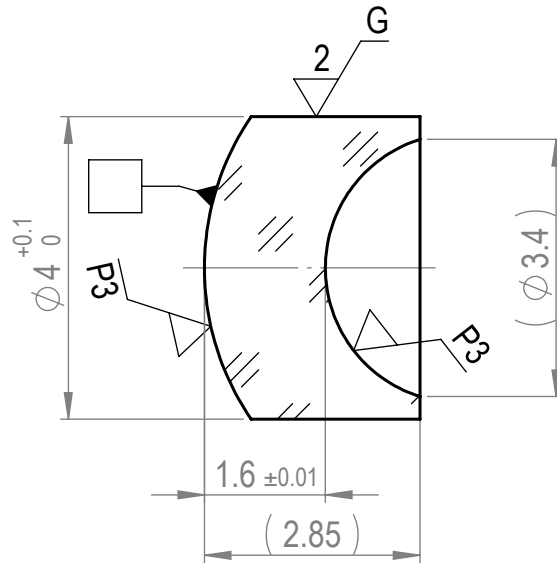


Strictly confidential. All rights reserved. Reproduction and processing of data in electronic systems or in any form whatever is not permitted without written authority of FISBA OPTIK AG.



1:1

| Left surface                   |               |      |    | Material             | Right surface |                                |         |    |
|--------------------------------|---------------|------|----|----------------------|---------------|--------------------------------|---------|----|
| R                              | N             | 3.55 | CX | LLF1                 | R             | N                              | 1.7783  | CC |
| $\varnothing_e$                | 3.8           |      |    | $\Delta n_d$         | $\pm 0.00030$ | $\varnothing_e$                | 3.0     |    |
| $\varnothing_{\text{visible}}$ | -             |      |    | $\Delta v_d[\%]$     | $\pm 0.5$     | $\varnothing_{\text{visible}}$ | -       |    |
| Prot. chamfer 0.1              |               |      |    | 0/                   | -             | Prot. chamfer 0.1              |         |    |
| $\lambda$                      | 91.005.91-084 |      |    | 1/                   | -             | $\lambda$                      | -       |    |
| 3/                             | 1(0.2)        |      |    | 2/                   | -             | 3/                             | 5(0.5)  |    |
| 4/                             | -             |      |    | Info                 |               | 4/                             | 4'      |    |
| 5/                             | 3x0.016       |      |    | Alternative material |               | 5/                             | 3x0.016 |    |
| -                              | -             |      |    | -                    |               | -                              | -       |    |
| 6/                             | -             |      |    | -                    |               | 6/                             | -       |    |
| -                              | -             |      |    | -                    |               | to be cemented                 |         |    |

Streng vertraulich. Alle Rechte vorbehalten. Die Vervielfältigung und die Verarbeitung mit elektronischen Systemen ist ohne schriftliche Genehmigung der FISBA OPTIK AG nicht gestattet.

|   |             |                |                                      |                         |                                     |                                      |                         |
|---|-------------|----------------|--------------------------------------|-------------------------|-------------------------------------|--------------------------------------|-------------------------|
| Erstellt<br><i>Prepared</i>   | 01.12.2010  | brt            | Gewicht<br><i>Weight</i>             | 0.1 g                   | Benennung / <i>Description</i>      | Blatt / Anz<br><i>Sheet / no. of</i> |                         |
| Freigegeben<br><i>Approved</i>  |             | -              | Status<br><i>Status</i>              | Prüfung ORB             |                                     |                                      | 1 / 1                   |
| Geändert<br><i>Modified</i>   |             | -              | Änderungs-Nr.<br><i>Revision no.</i> |                         |                                     |                                      | Format<br><i>Format</i> |
| Toleranzen und Angaben nach DIN ISO 10110<br><i>Tolerances and details according to DIN ISO 10110</i> |             |                |                                      | Massstab / <i>Scale</i> | Zeichnungs-Nr. / <i>Drawing no.</i> | Version<br><i>Version</i>            |                         |
| Längenmasse / <i>Linear dimensions</i>  |             |                |                                      | 10:1                    |                                     |                                      | A4                      |
| Mass / <i>Dimension</i>   | 0<br>... 10 | > 10<br>... 30 | > 30<br>... 100                      | > 100                   |                                     |                                      | 00.234.03-520           |
| Tol. / <i>Tol.</i>  | ± 0,2       | ± 0,5          | ± 1                                  | ± 1,5                   | www.fisba.ch                        |                                      |                         |